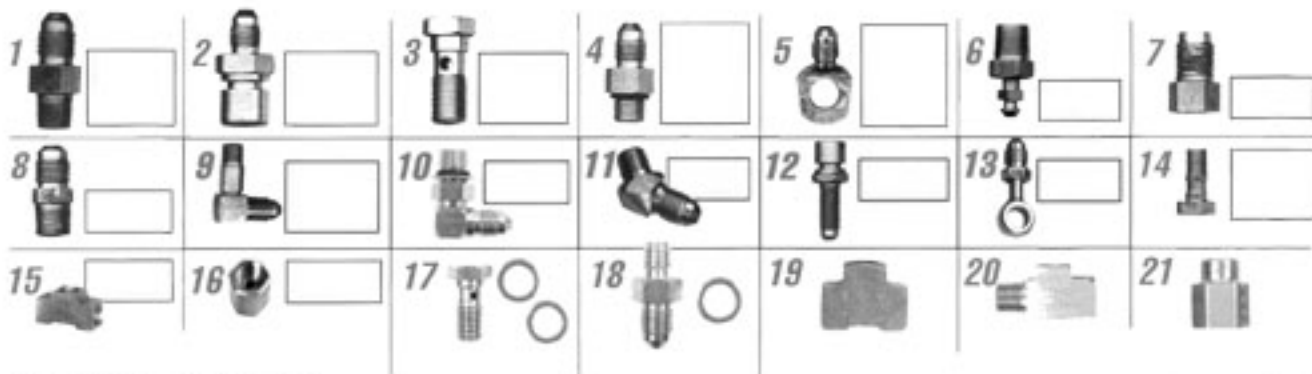


BRAKE FITTINGS



Brake System Fittings

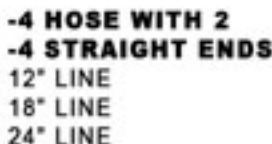
DESCRIPTION	APPLICATION
1 1/8 NP TO 4 AN	WW & JFZ ALUMINUM CALIPERS
1 1/8 NP TO 3 AN	WW & JFZ ALUMINUM CALIPERS
2 3/16 LINE TO 4 AN	CHASSIS MOUNT
2 3/16 LINE TO 3 AN	CHASSIS MOUNT
3 7/16 SAE BANJO BOLT	GM STEEL CALIPERS
3 3/8 SAE BANJO BOLT	GM STEEL CALIPERS
3 3/8 - 24 X 4 AN	TILTON, GIRLING MASTER CYLS
4 10MM - 1.50 X 4 AN	SMALL GM METRIC CALIPERS
4 7/16 SAE TO 4 AN	GM STEEL CALIPERS
4 7/16 BANJO TO 4 AN	GM STEEL CALIPERS
5 7/16 BANJO TO 3 AN	GM STEEL CALIPERS
5 3/8 BANJO TO 4 AN	GM STEEL CALIPERS
6 1/8 NP BLEED VALVE	ALL ALUMINUM CALIPERS
7 1/4 INV. FL. TO 3/16 LINE	SOME PROP VALVES
8 1/4 INV. FL. TO 4 AN	SOME PROP VALVES
9 1/8 NP TO 4 AN TALL (90°)	WW & JFZ ALUM. CALIPERS
9 1/8 NP TO 3 AN TALL (90°)	WW & JFZ ALUM. CALIPERS
10 7/16 SAE TO 4 AN (90°)	GM STEEL CALIPERS
11 1/8 NP TO 4 AN TALL (45°)	HOWE ALUM. CALIPERS
12 3/16 LINE TO 4 AN	LONG CHASSIS MOUNT
13 10MM BANJO TO 4 AN	SMALL GM METRIC CALIPERS
14 10MM - 1.50 BANJO BOLT	SMALL GM METRIC CALIPERS
14 10MM - 1.25 BANJO BOLT	SMALL GM METRIC CALIPERS
15 3/16" INV. FLARE TEE	3/16" BRAKE LINE
16 3/16" INV. FLARE UNION	3/16" BRAKE LINE
16 1/8" FP TO 3/16" INV FL	3/16" BRAKE LINE
16 SEALING WASHER	40275, 40258, 40259 BOLT (2 REQ.)
17 10MM-150 BANJO BOLT	U.S. BRAKE GM METRIC CALIPER
18 10MM-150 4AN	U.S. BRAKE GM METRIC CALIPER
19 1/8" FP TEE	BRAKE LINE
20 1/8" MP X (2) 3/16" INV FL	BRAKE BIAS PANEL
21 1/8" FP X 1/4" FP	BRAKE GAUGES



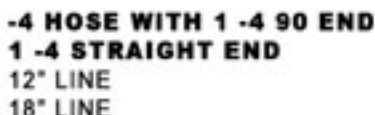
**-3 HOSE WITH 2
-3 STRAIGHT ENDS**
18" LINE
24" LINE



**-3 HOSE WITH 1 -3 90 END
1 -3 STRAIGHT END**
12" LINE



**-4 HOSE WITH 2
-4 STRAIGHT ENDS**
12" LINE
18" LINE
24" LINE



**-4 HOSE WITH 1 -4 90 END
1 -4 STRAIGHT END**
12" LINE
18" LINE



18" BRAKE LINE
24" BRAKE LINE



**-ULTRA HTX BRAKE FLUID
-570 GOLD BRAKE FLUID
-600 PLUS BRAKE FLUID**



PROPORTIONING VALVE



U.S. BRAKE MASTER CYLINDERS
3/4" BORE
7/8" BORE
1" BORE



HIGH VOLUME MASTER CYLINDER
3/4" BORE
7/8" BORE
1" BORE



LONG CRANK BIAS ADJUSTER
SHORT CRANK BIAS ADJUSTER



AFCO MASTER CYLINDER
3/4" BORE
7/8" BORE
1" BORE



BRAKE BIAS ADJUSTER



HURST ROLL CONTROL



QUICK CHECK GAUGE